

ASSEMBLY INSTRUCTION

SL-282

BEL AIR DOUBLE LOUNGER

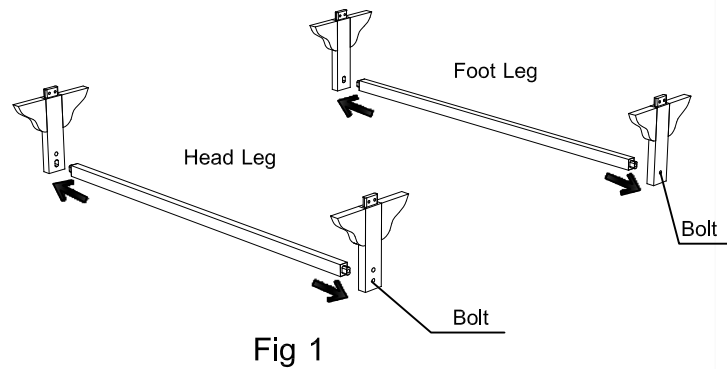


Fig 1

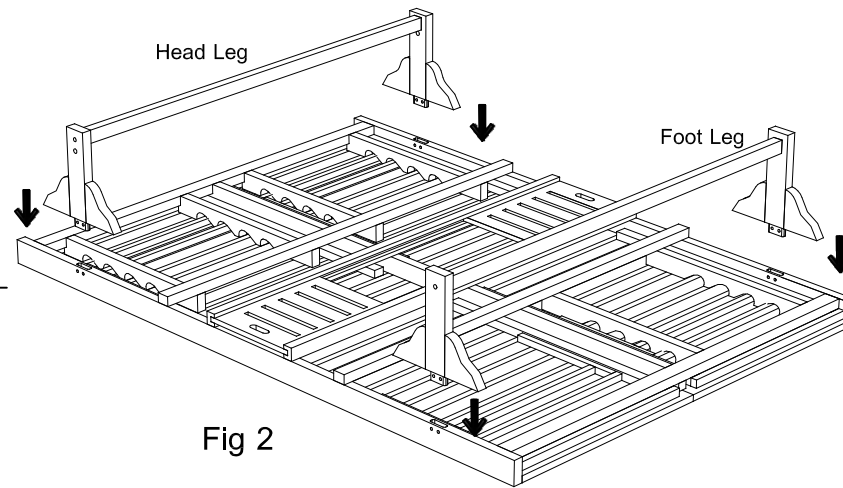


Fig 2

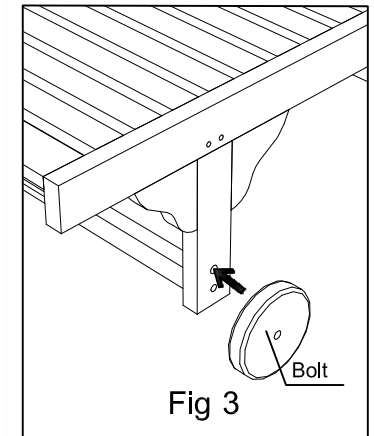


Fig 3

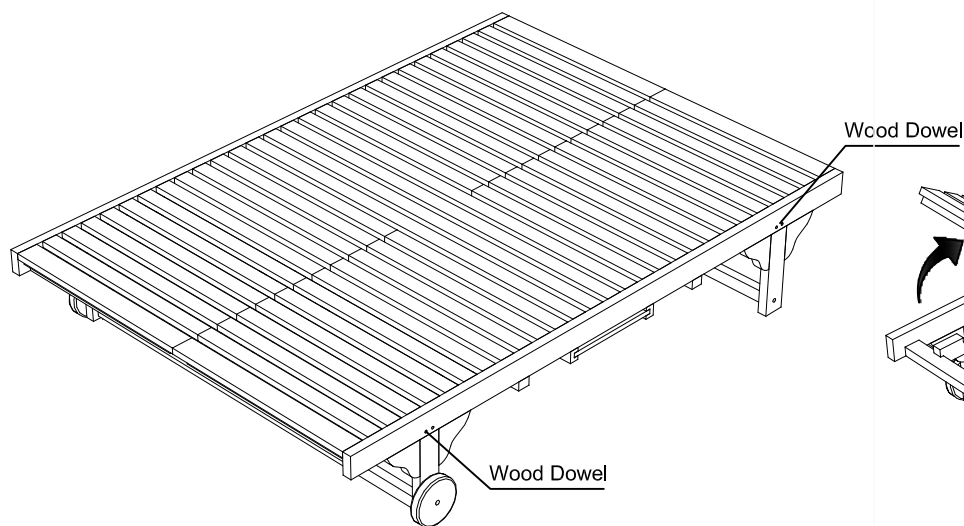


Fig 4

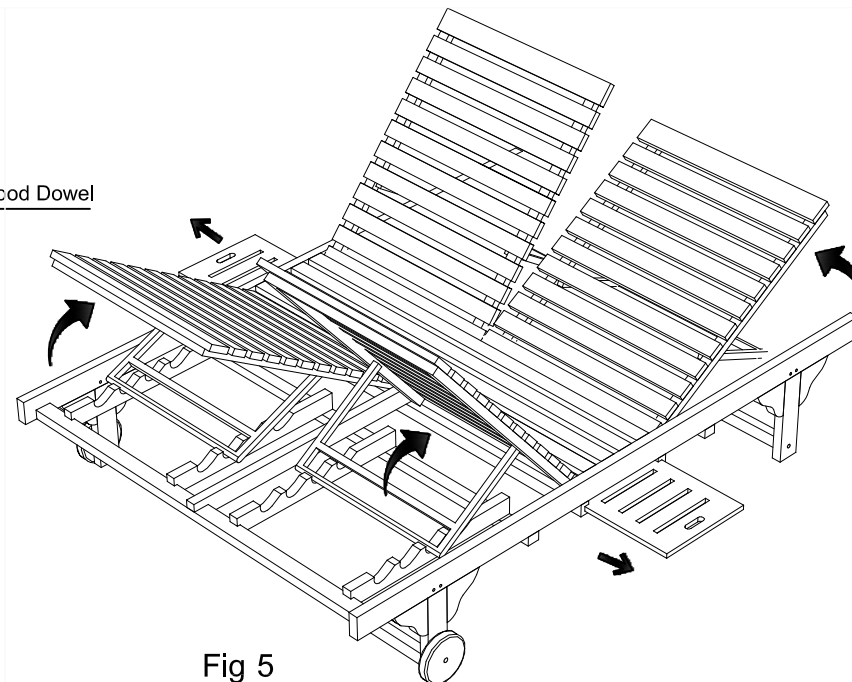


Fig 5

Parts : 1 pc seat , 2 pcs head legs, 2 pcs foot legs, 2 pcs support for legs

Hardware packs :
Wood dowels for leg
Bolt for leg and support of leg
Bolt for wheel

Tools requirement :
Hammer and Screw driver (not supplied)

- Assembling :
1. Prepare the head leg, foot leg and support for leg. Insert the support of leg into head leg and foot leg and put the bolt. (Fig. 1)
 2. Put some glue around mortise of head leg and foot leg then put the head leg and foot leg into apron of the seat. (Fig. 2)
 3. Put the wheel into the head of leg with bolt. (Fig. 3)
 4. put some glue around the wood dowel and put into the head leg and foot leg. (Fig. 4)
 5. Finish assembly
 6. Clean the overflow glue using damp cloth while glue is still wet.
 7. You can open the head of seat and the foot of seat and sliding the tray. (Fig. 5)